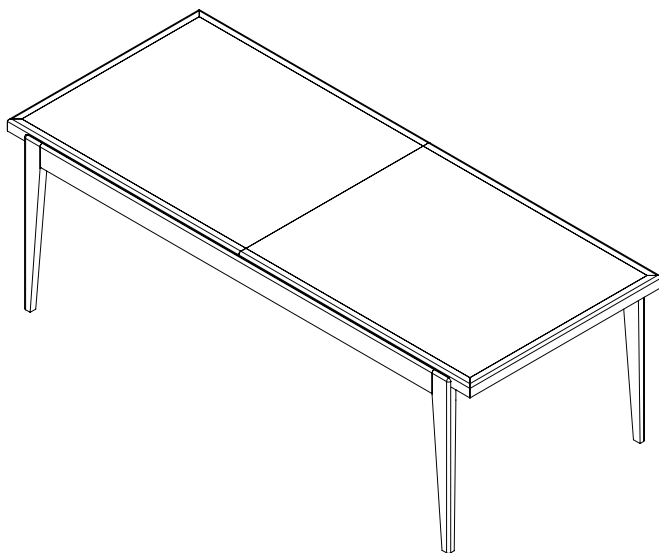


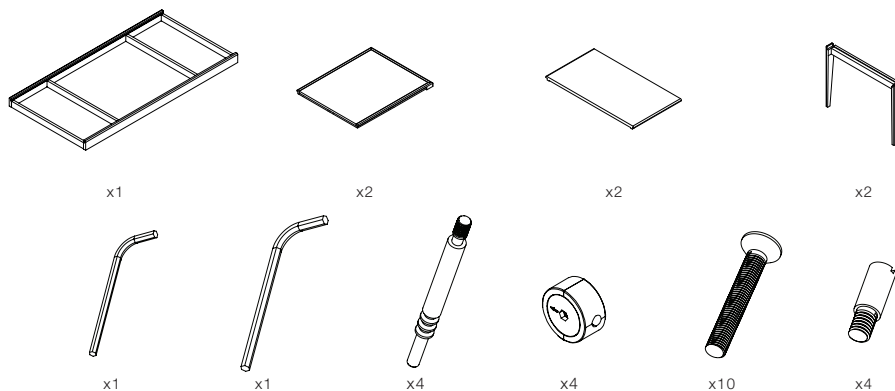
GUBI

ASSEMBLY INSTRUCTIONS

for

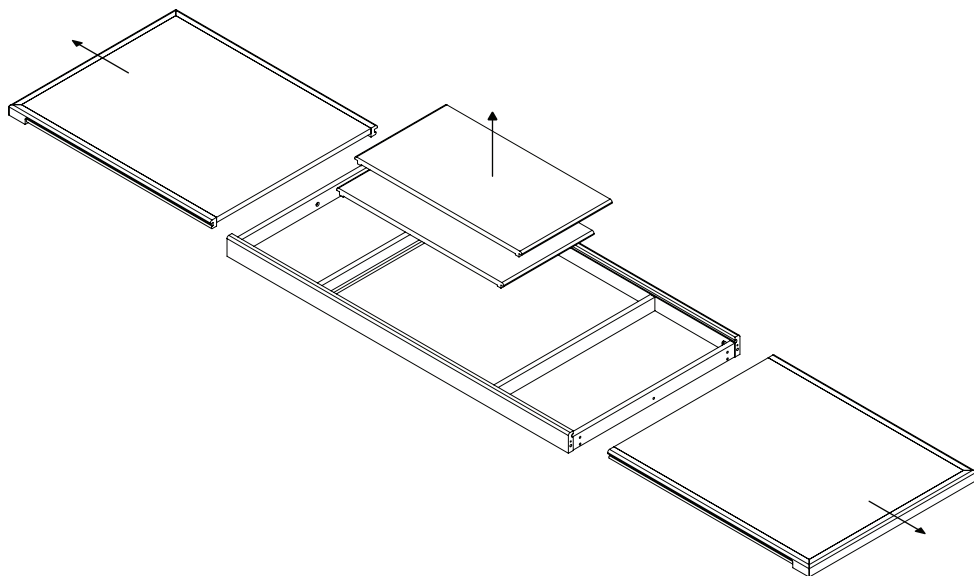
S-Table Dining Table
Extendable





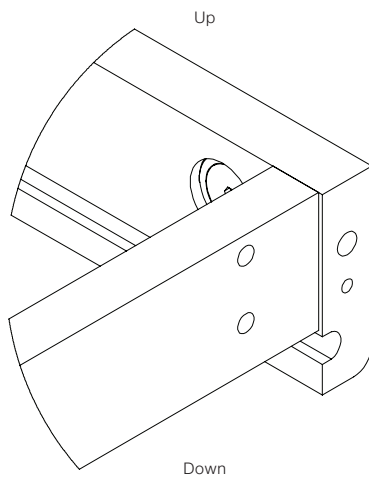
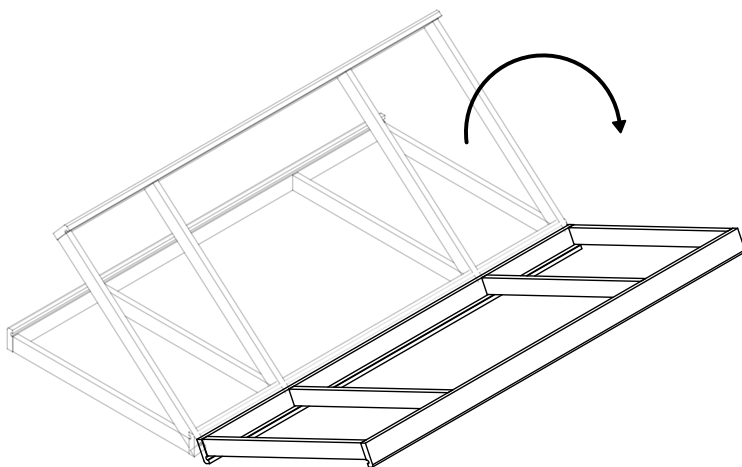
1.

Unpack the table, removing the sliding tops from the frame.



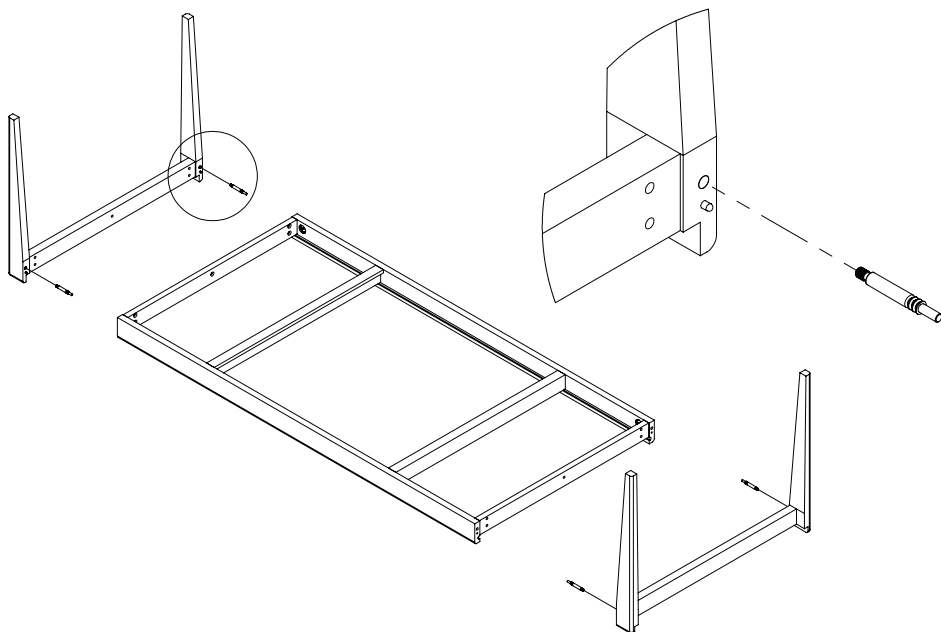
2.

Turn the frame over.



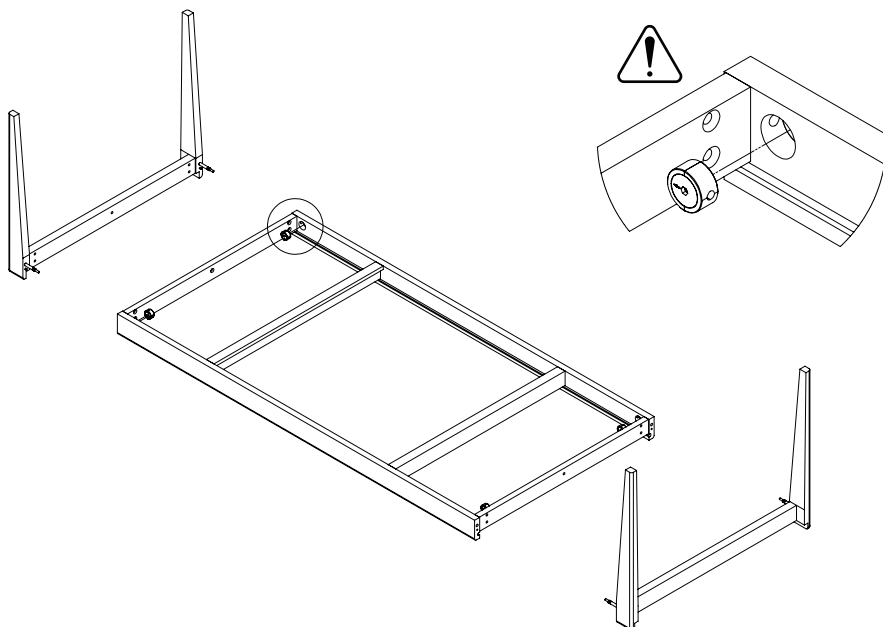
3.

Screw the insert.



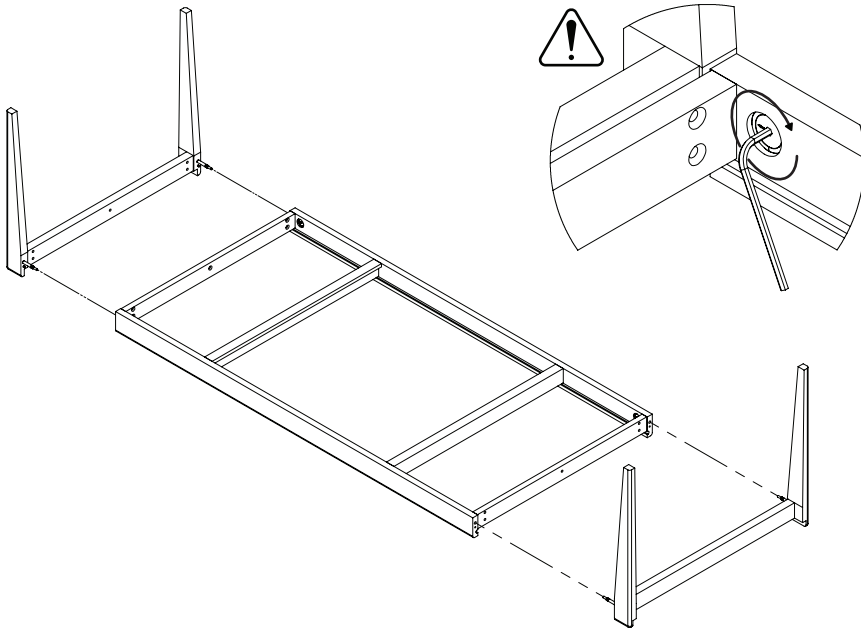
4.

Fully insert the disc, in the right direction as shown in the figure.



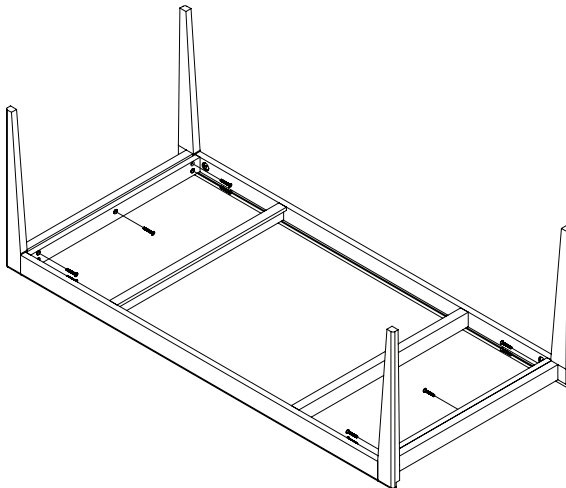
5.

Insert the legs all the way in, then tight the disc, which must pull the insert towards the frame.



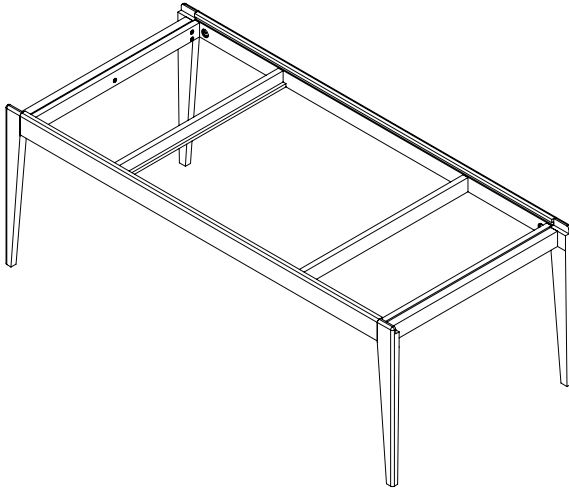
6.

Connect the legs to the frame using supplied screws.



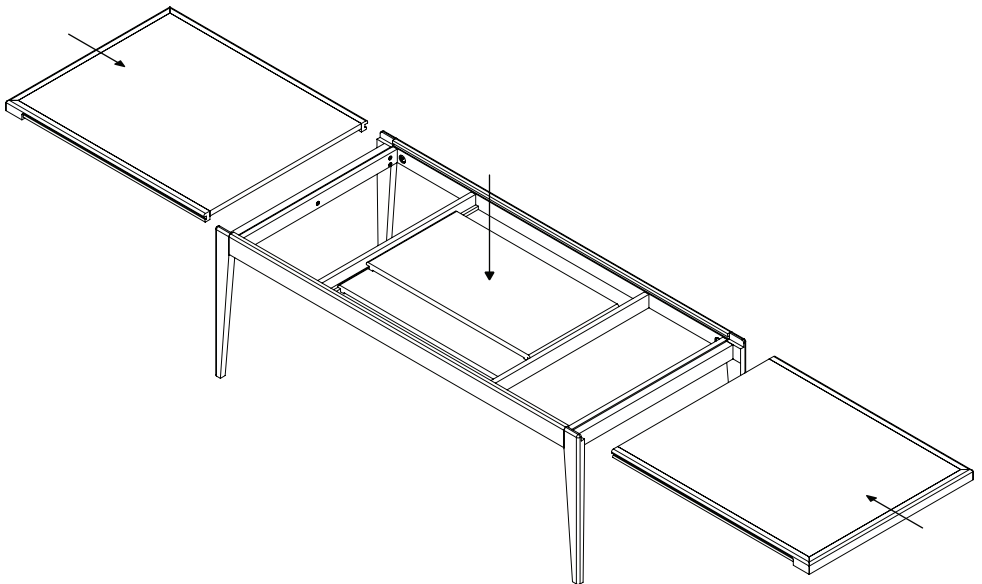
7.

Stand the table up.



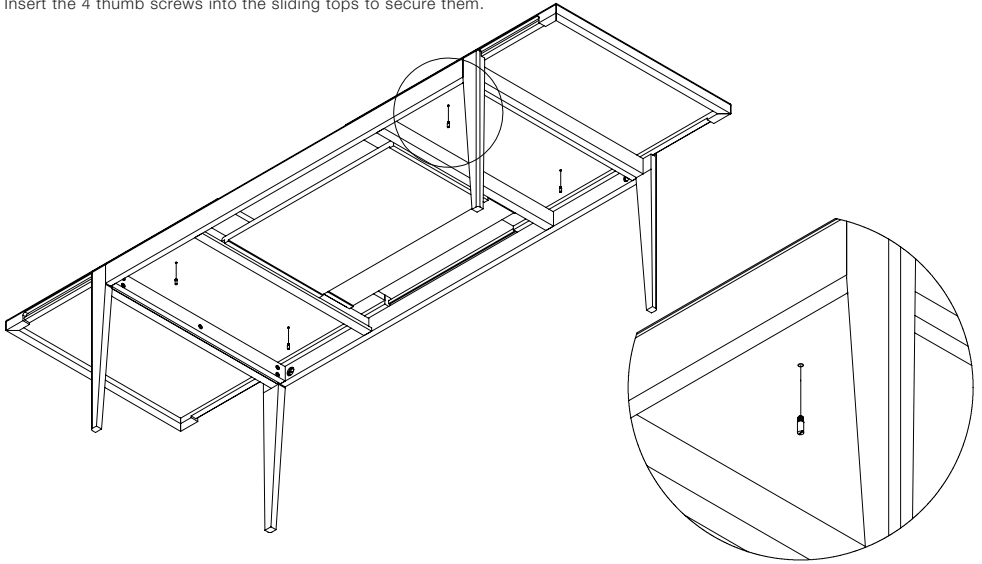
8.

Insert the loose tops and sliding tops.



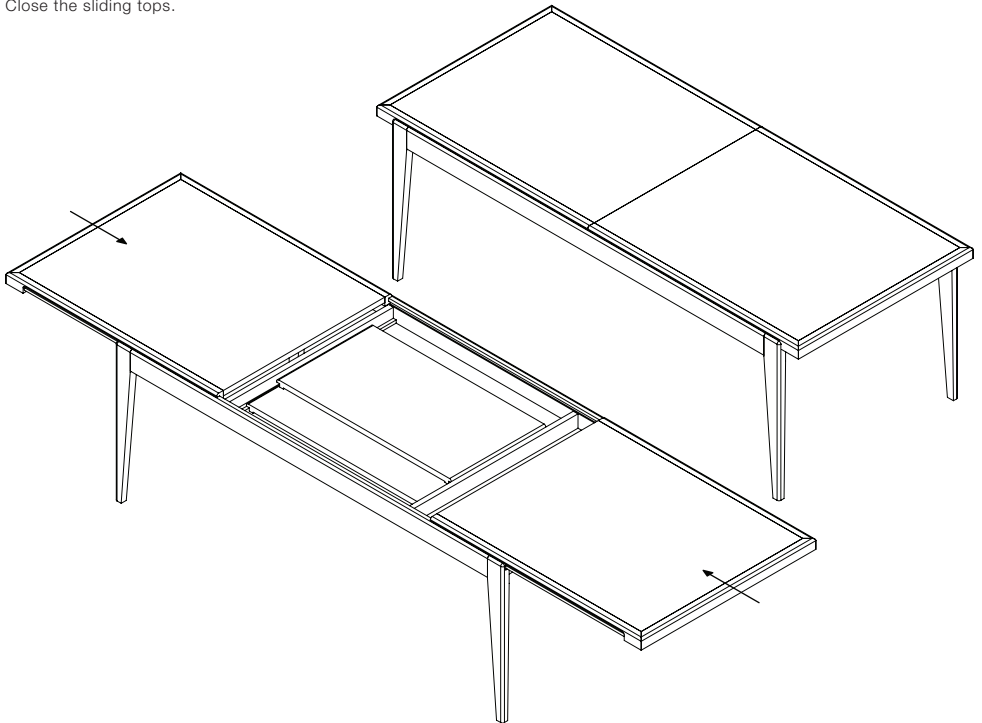
7.

Insert the 4 thumb screws into the sliding tops to secure them.



8.

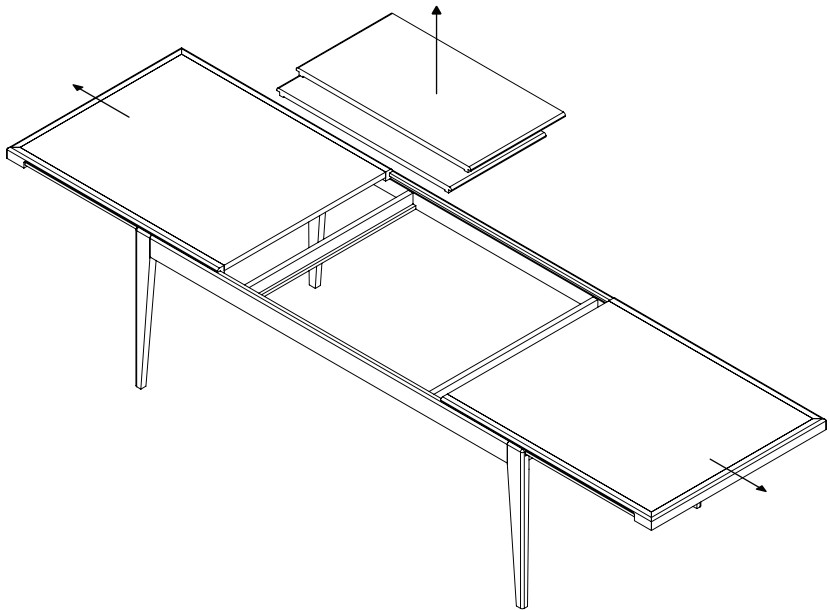
Close the sliding tops.



Expanding the table

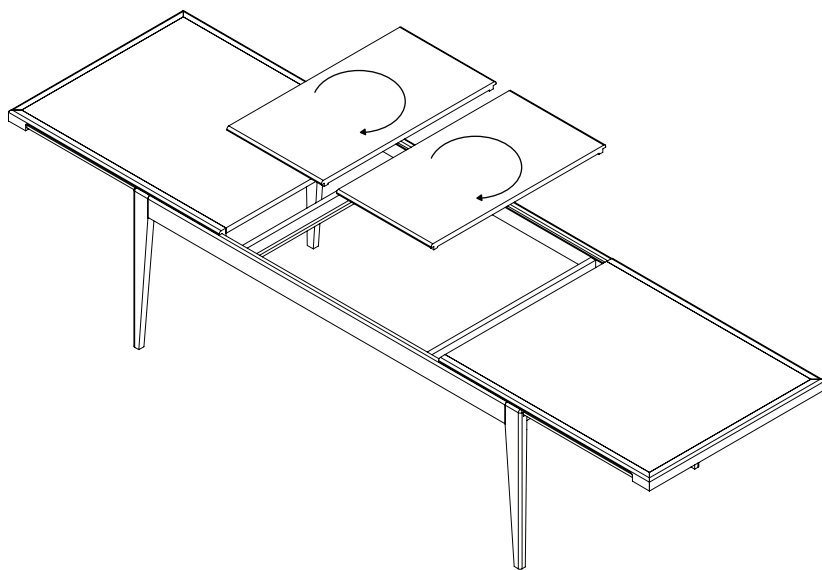
1.

Open the sliding tops and remove the loose tops.



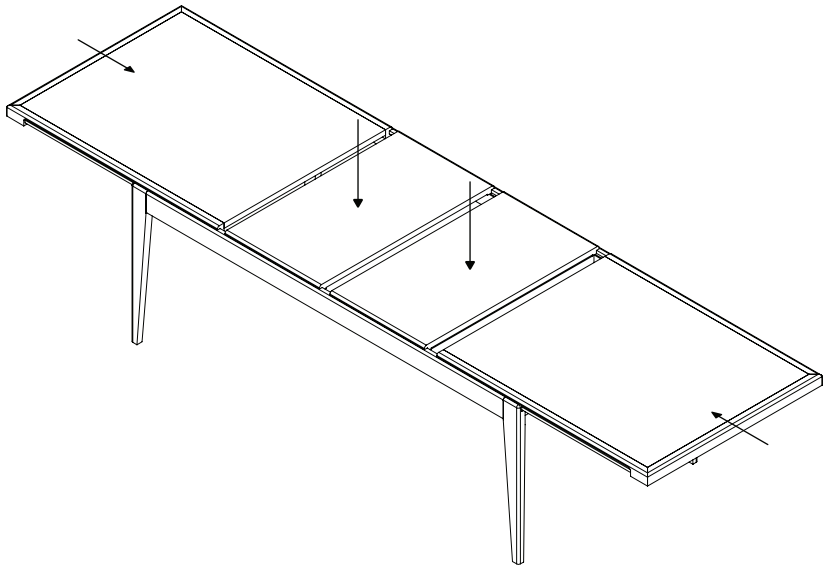
2.

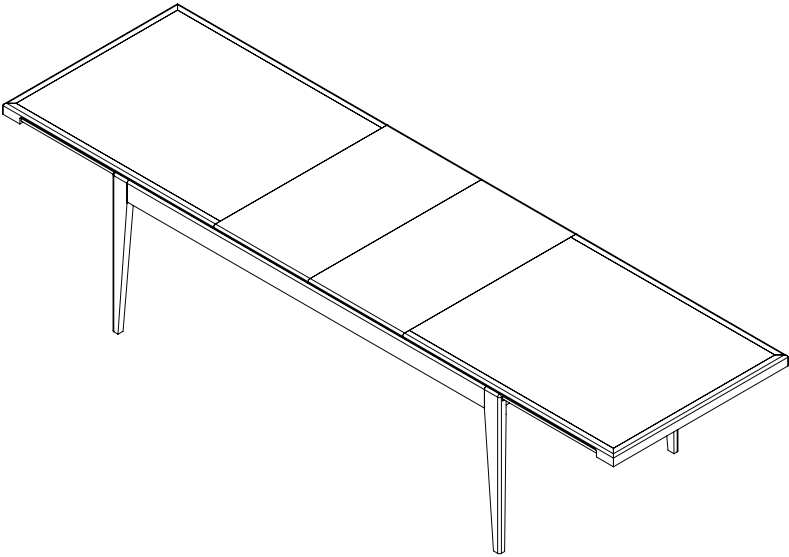
Rotate the loose tops.



3.

Place the loose tops on the frame and close the sliding tops.







CARE INSTRUCTIONS

VENEER

For dusting and light cleaning use a soft, dry cloth. For further cleaning, use a soft cloth that is firmly wrung in clean water for gently wiping the surface, and then immediately use a dry cloth to wipe the surface again. If more thorough cleaning is necessary, use a mild liquid soap dissolved in water on a firmly wrung cloth to wipe the frame. Afterwards, repeat the process with clean water as described above



For enquiries contact GUBI A/S - CVR: 17940384
Klubensvej 7-9, 2150 Nordhavn, Copenhagen, Denmark
T +45 69 15 60 60 – gubi@gubi.com
GUBI.COM

Assembly Instructions S-Table Dining Table Extendable.
